

swipe+

Bidet Seat

OWNER'S MANUAL

Table of Contents

This manual contains important safety information. Before operating the bidet, please read this manual thoroughly, and retain it for future reference.

GENERAL INFO

- 01 SAFETY INFORMATION
- 06 PRODUCT INFORMATION
- 06 Product Features
- 07 Product Dimensions
- 08 Product Parts

TECHNICAL INFO

- 21 PRODUCT SPECIFICATIONS
- 22 MAINTENANCE
- 22 Seat Cleaning & Removal
- 22 Nozzle Cleaning
- 23 Cleaning the Mesh Filter
- 23 Product Storage
- 24 TROUBLESHOOTING
- 27 WARRANTY
- 28 CONTACT

PRODUCT INSTALLATION

- 09 PRODUCT INSTALLATION
- 09 Installation Parts
- 10 Before Installation
- 11 Swipe+ Installation
- 13 Remote Control Installation




PRODUCT OPERATION

- 14 OPERATING THE SWIPE+
- 14 Swipe+ Remote Control
- 16 Swipe+ Auxiliary Control Panel
- 17 Using the Swipe+
- 18 Special Mode Operations

SAFETY INFORMATION (IMPORTANT SAFEGUARDS)

READ ALL INSTRUCTIONS BEFORE USING

BE CAREFUL TO KEEP THIS SAFETY INFORMATION. PLEASE READ THIS INFORMATION TO PREVENT PROPERTY LOSS AND ENSURE SAFETY.

-  **DANGER:** If not observed, serious injury or even death may occur as a result.
-  **WARNING:** If not observed, serious physical injury or property damage may occur as a result.
-  **CAUTION:** If not observed, minor physical injury or property damage may occur as a result.

DANGER

Failure to observe the following warnings may result in electric shock, fire, personal injury, property damage or product damage.

- Do not use a damaged power plug or plug into a loose electric outlet.
- Do not move the product by pulling the power cord.
- Do not handle the product or power plug with wet hands.
- Do not forcefully bend the power cord or place heavy objects on it to prevent it from being damaged or deformed.
- Do not connect and pull out the power plug or cord repeatedly.
- Unplug the product before cleaning, repairing, inspecting, or replacing parts.
- Remove any dust or water from the power plug prior to plugging in.
- Do not plug the product into an electrical outlet or power strip that is being used by too many other products. Use an electrical outlet adequate for the wattage of the product rated for a minimum of 15 amps.
- If the power cord is damaged, do not attempt to repair, modify, or replace the cord yourself. Contact Mogul Merch at support@mogulmerch.gg for assistance.
- If the product produces a strange noise, a burning smell, or emits smoke, unplug it immediately from the electrical outlet and contact Mogul Merch. Failure to do so may result in electric shock or fire.
- Do not insert any wires or sharp objects into any product gaps. This may result in electric shock, fire, or product damage.
- Do not place an electronic or gas heater near the product or dispose of any burning materials such as a lit cigarette in the toilet. This may result in fire or product deformation. Do not place any containers filled with water or other liquids, food, metallic objects, or any flammable material on top of the product. If foreign material enters the product, this may result in electric shock or fire.

(continued on following page)

SAFETY INFORMATION

(IMPORTANT SAFEGUARDS)



DANGER

Failure to observe the following warnings may result in electric shock, fire, personal injury, property damage or product damage.

- Do not use the product in locations exposed to excessive moisture and do not splash water onto the product.
- While cleaning the bathroom, pull the power plug out of the electrical outlet and exercise caution to ensure that water or cleaning supplies do not splash onto the bidet. Failure to do so may result in electric shock or fire.
- If foreign material enters the product, pull the power plug out of the electrical outlet, turn off the main water valve, and Contact Mogul Merch at support@mogulmerch.gg for assistance.
- Do not disassemble, repair, or modify the product yourself.
- Do not use the product while wet from bathing or showering.
- Do not place or store the product where it can fall or be pulled into a tub or sink.
- Do not place in or drop the product into water or any other liquid.
- Do not reach for the product if it has fallen into water. Unplug the product immediately and call the Mogul Merch Service Center.
- Do not use the product if it is not working properly. Please unplug the product immediately, close the main water supply valve, and Contact Mogul Merch at support@mogulmerch.gg for assistance. Failure to do so may result in electric shock, fire, or flooding.



WARNING

Failure to observe the following warnings may result in electric shock, fire, personal injury, property damage or product damage.

- Do not plug in, operate, or store the unit in locations where flammable or combustible materials are used or kept.
- Do not use industrial water, or gray water for the supply, as this may cause skin damage or disease.
- Turn off the main water supply valve when cleaning.
- For children and seniors who may have difficulties with adjusting temperatures or those with sensitive skin or impaired heat sensitivity, set the temperature of the wash spray and seat to “low” or “off” to prevent burning.
- Close supervision is necessary when this product is used by children, seniors, or persons requiring general assistance.
- Do not press the buttons using excessive force.
- Do not stand on top of or place any heavy objects onto the seat cover.
- Use this product for its intended use only, as described in this manual. Do not use any attachments that are not recommended by this manual.

SAFETY INFORMATION

(IMPORTANT SAFEGUARDS)



WARNING

Failure to observe the following warnings may result in electric shock, fire, personal injury, property damage or product damage.

- Never operate this product if it has a damaged cord or plug, if it is not working properly, if it has been dropped or damaged, or dropped into water. Contact Mogul Merch at support@mogulmerch.gg for assistance.
- Keep the cord away from heated surfaces and heating vents.
- Never block the air openings of the product or place it on a soft surface, such as a bed or couch, where the air openings may be blocked. Keep the air openings free of lint, hair, etc.
- Never drop or insert any object into any opening or hose.
- Do not use the product outdoors or operate where aerosol (spray) products are being used or a room where it could be exposed to oxygen.
- Connect this product to a properly grounded outlet only. Refer to the Grounding Instructions in the next pages of the manual.



CAUTION

Failure to observe the following warnings may result in electric shock, fire, personal injury, property damage or product damage.

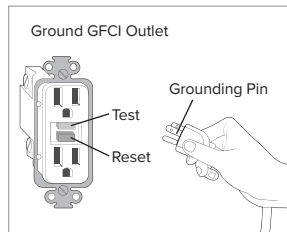
- Do not connect the main water supply to the hot water pipe or supply (only connect to the cold water supply).
- After the installation, make sure to check all water supply connections for leaks. Rubber washers should be in place for the water connection hoses & T-valve.
- Do not open/close the seat or seat cover with excessive force.
- Exercise caution that urine does not come into contact with the product - failure to do so may result in bad odors or malfunction.
- If the product will not be used for a long period of time, unplug the power cord, close the main water supply valve, and drain any water in the water tank.
- Do not pull out the bidet hose using excessive force.
- Do not use thinner, benzene, acidic chemicals, chloride, or hydrochloric acid detergent on or near the product. This may result in corrosion to the metal parts or discoloration or scratches to the bidet body.
- This appliance is not intended for use by persons (including children and seniors) with reduced physical, sensory, or mental capabilities, or lack of experience and knowledge, unless they have been given supervision or instruction concerning the use of the appliance by a person responsible for their safety.
- Children should be supervised to ensure that they do not play with the appliance.

SAFETY INFORMATION (IMPORTANT SAFEGUARDS)

GROUNDING AND GFCI OUTLET INSTRUCTIONS

This product should only be used with a grounded GFCI (Ground Fault Circuit Interrupter) outlet and a grounded three-prong electrical cord as shown to the right. In the event of an electrical short circuit, using a grounded GFCI outlet reduces the risk of electric shock.

This product is equipped with a grounded cord and is for use on a nominal 120V circuit only (minimum 15 amps) and must be plugged into an outlet that is properly grounded with a GFCI breaker as shown. Replace or repair a damaged cord immediately.



IMPROPER USE OF THE GROUNDING PLUG CAN RESULT IN A RISK OF ELECTRIC SHOCK.

- If repair or replacement of the cord or plug is necessary, do not connect the grounding wire to either flat blade terminal. The wire with green insulation (either with or without a yellow stripe) is the grounding wire.
- Check with a qualified electrician if the grounding instructions are not completely understood, or if there is doubt if the product is properly grounded.



DANGER

Improper use of the grounding plug can result in a risk of electric shock.

SAFETY INFORMATION (IMPORTANT SAFEGUARDS)

OPTIONAL GROUNDING INSTRUCTIONS

This product is for use on a nominal 120V circuit, and has a grounding plug that looks like the plug illustrated in sketch A in Figure 1.

A temporary adapter, which looks like the adapter illustrated in sketches B and C, may be used to connect this plug to a 2-pole receptacle as shown in sketch B if a properly grounded outlet is not available.

The temporary adapter should be used only until a properly grounded outlet (sketch A) can be installed by a qualified electrician.

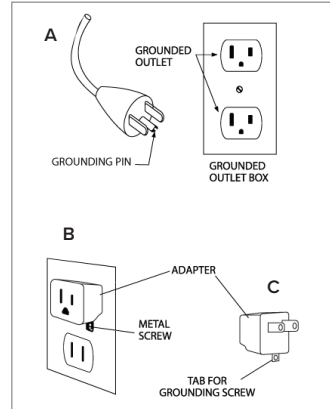


Figure 1

Attach the grounding wire to the grounding screw on the product as shown in sketch D of Figure 2. Attach the other end of the grounding wire to the grounding screw located on the temporary outlet.



DANGER

Do not connect the grounding wire to a non-grounded outlet.

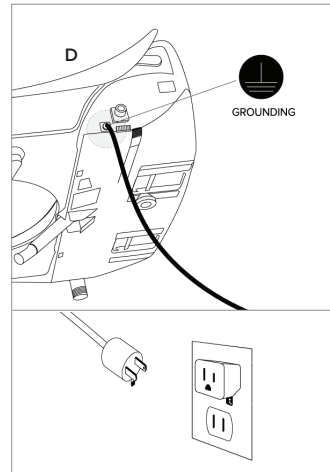


Figure 2

PRODUCT INFORMATION

Product Features

Stainless Steel Nozzle

Stainless steel resists soiling and bacterial contamination for enhanced hygiene.

Posterior and Feminine Warm Water Wash

Experience the ultimate in clean with adjustable temperature, position, pressure, massage, and oscillation settings.

Strong Wash

Concentrated stream with adjustable pressure, position, temperature, massage, and oscillation settings.

Positionable Nozzle

The nozzle has five different positions to ensure the most comfortable and complete wash.

Adjustable Water Temperature and Pressure

Front, Rear and Strong wash modes have four available water temperature settings, and five water pressure settings.

Pulse

When activated, the water pressure automatically increases and decreases to provide a pulsating, cleaning spray.

Warm Air Dryer

Includes adjustable temperature with five levels for a hands-free experience and toilet paper reduction – even elimination.

Nozzle Oscillation

The Move function provides a massaging, oscillating cleanse during the wash cycle ensuring a thorough and comfortable wash.

Gentle Wash Function

Activates a preset wash cycle at the softest setting for a gentle clean. A drying cycle will follow.

Automatic Deodorizer

An automatic deodorizer engages when sitting on the seat.

Ergonomic Heated Seat

With four temperature settings (High/Medium/Low/Off).

Illuminating Nightlight

The cool blue hue of the nightlight means no more blinding lights during midnight trips to the bathroom.

Gentle-Closing Seat and Lid

“Slam free” gentle-closing seat and lid are user friendly.

Eco Mode

When activated, this function automatically lowers the water and seat temperature to one of two different settings.

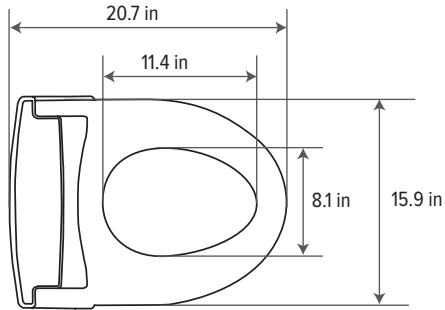
Quick-Release Seat

Quick-release button for easy removal and cleaning of seat and toilet.

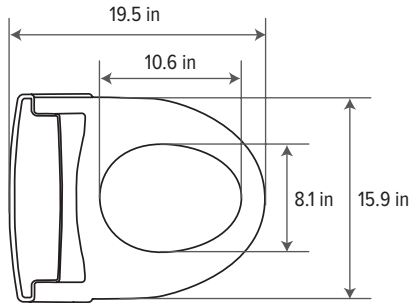
PRODUCT INFORMATION

Product Dimensions

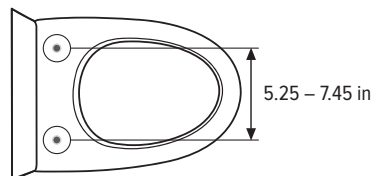
Elongated (MMB-E-M) Top View



Round (MMB-U-M) Top View



Required Distance Between Mounting Holes



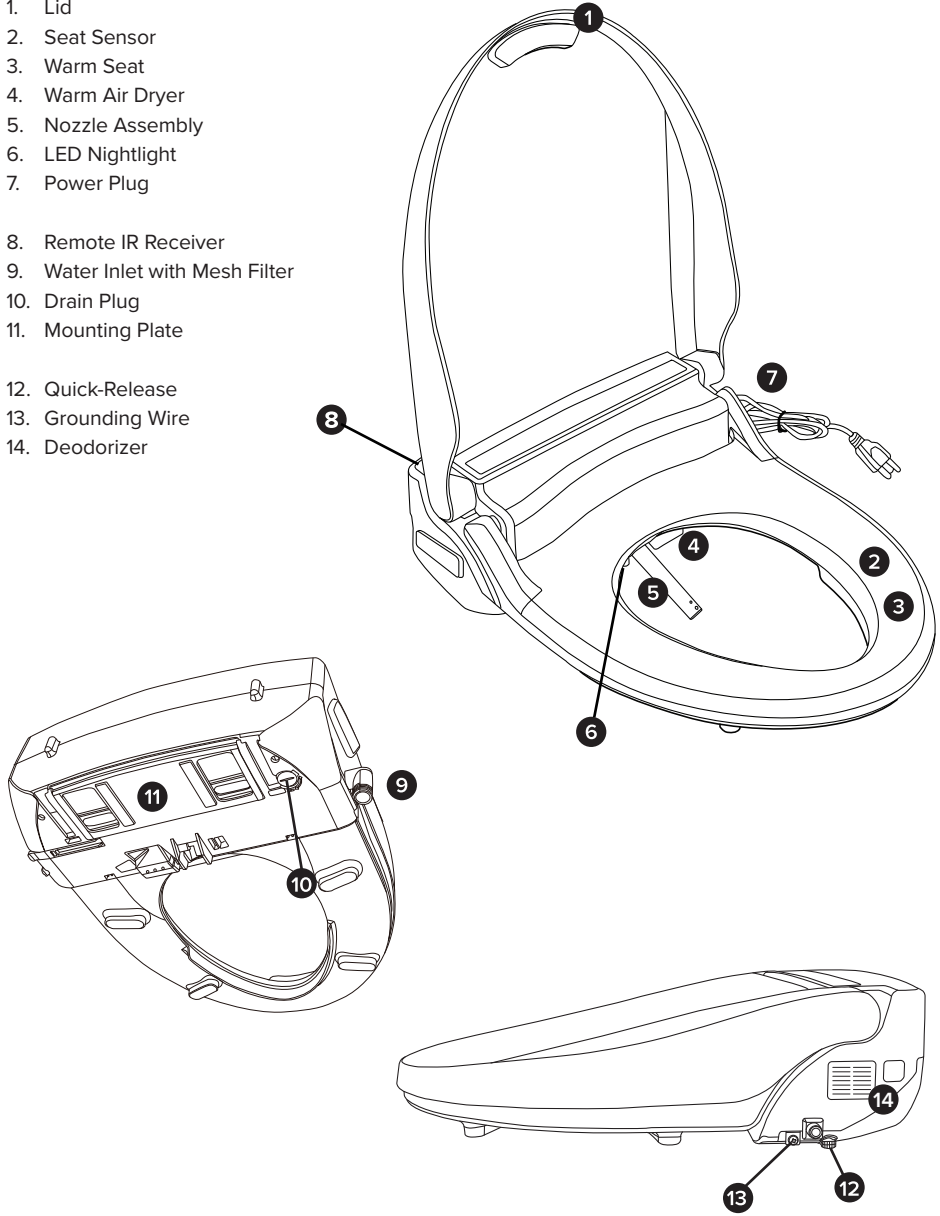
PRODUCT INFORMATION

Product Parts

- 1. Lid
- 2. Seat Sensor
- 3. Warm Seat
- 4. Warm Air Dryer
- 5. Nozzle Assembly
- 6. LED Nightlight
- 7. Power Plug

- 8. Remote IR Receiver
- 9. Water Inlet with Mesh Filter
- 10. Drain Plug
- 11. Mounting Plate

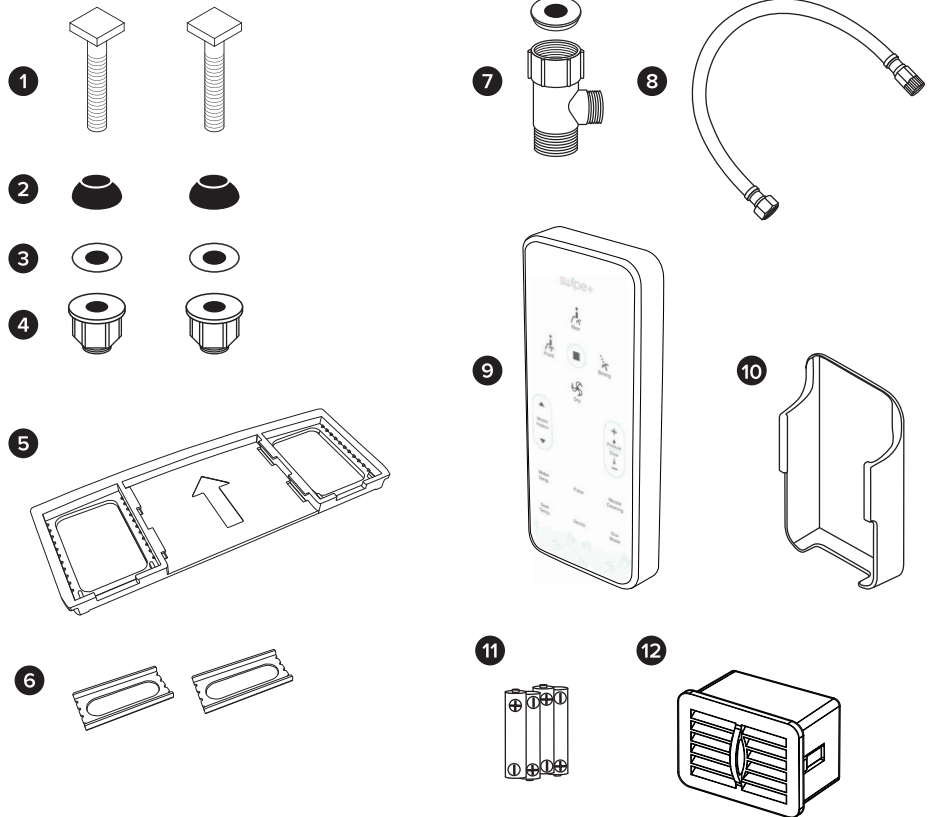
- 12. Quick-Release
- 13. Grounding Wire
- 14. Deodorizer



PRODUCT INSTALLATION

Installation Parts

1. Mounting Bolt (2)
2. Rubber Cone Washer (2)
3. Flat Washer (2)
4. Nuts (2)
5. Mounting Plate
6. Adjustable Brackets (2)
7. T-Valve Connector with Rubber Washer
8. Bidet Hose
9. Remote Control
10. Remote Control Wall Mount
11. AAA Batteries (4)
12. Deodorizing Cartridge



PRODUCT INSTALLATION

Before Installation



DO NOT PLUG THE PRODUCT IN WHILE THE UNIT IS UPSIDE DOWN

This may cause damage to the internal components.

CHECK BOLT SPREAD

This bidet seat can only be installed on toilets with a bolt hole spread of 5.25 – 7.45 in. (see Product Dimensions on page 7 for more information).

CHECK WATER SUPPLY LINE

Check the line that connects the toilet tank to the water shut off valve. If it is a rigid pipe, you may need to purchase a flexible hose to replace it before installing the Swipe+. The length of the hose and the size of the connectors will vary.

RESIDUAL MOISTURE IS NORMAL

Every product is tested with pure water during production to ensure the highest quality and performance. It is normal to find a small amount of residual moisture on the product and in the reservoir and filter.

TOOLS

A Phillips head or standard screwdriver may be needed to remove the existing toilet seat and a standard wrench may be needed for tight water supply connections. Teflon tape can be helpful in creating a water-tight seal between plumbing connections.

PRODUCT INSTALLATION

Swipe+ Installation

Please read these instructions carefully before installing the Swipe+. Failure to do so could result in flooding, leaking or damage to the product.

NOTE: Steps may vary by type of seat and toilet

1. Existing Toilet Seat Removal

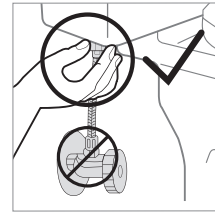
- Lift hinge covers and use a screwdriver to remove the mounting bolts.
- Remove the toilet seat. Keep for future use.

2. Turn Off Water Supply Valve and Flush Toilet

- Turn water valve off to stop the flow of water.
- Flush toilet and hold down handle to completely empty tank.
- Disconnect water supply hose from toilet tank. Do not disconnect from the water supply valve.

NOTES

- You may wish to place a container under the tank to catch excess water.
- Do not continue without completing the above steps.
- Failure to do so could result in flooding, leaking or damage to the Swipe+.



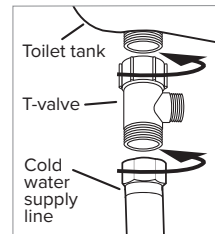
Step 2c

3. Connect the top of the T-valve to the incoming water connection on the bottom of your toilet tank.

- Ensure the rubber washer is placed inside the T-valve against the metal with the raised lip facing the toilet tank connection.
- Install the T-valve with the rubber washer to the incoming water connection on the bottom of the toilet tank.

NOTES

- The T-valve connects to the fill valve directly under your toilet tank - it does not connect at the wall.
- Only connect to the cold toilet water supply line.
- If your water supply line is rigid you may need to replace the water supply line before continuing.

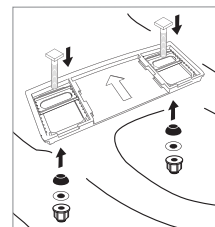


Steps 3-4

4. Connect the water supply line coming from the wall to the bottom of the T-valve.

5. Install Mounting Plate for Standard Installation

- Place mounting plate over mounting holes on toilet, rubber side facing down, arrow pointing to the toilet tank.
- Place adjustable brackets flat side down in the center of the square opening in the mounting plate and insert mounting bolts through adjustable brackets and mounting holes. Be sure that the square mounting bolt head is even with sides of adjustable bracket.



Steps 5b-5c

PRODUCT INSTALLATION

Swipe+ Installation

- c. Slide rubber cone washer, flat washer, and then nut onto mounting bolts under the toilet bowl and tighten to keep mounting plate in place.

6. Connect the Bidet Hose to the Seat

Connect the plastic side of the bidet hose to the water inlet. Hand-tighten to secure. Take care not to twist the bidet hose, excessively bend it, or strip the plastic screw threads when screwing the hose onto the bidet seat.

7. Attach the Swipe+ to the Mounting Plate

- a. Set the Swipe+ flat on the toilet bowl in front of the mounting plate, and slide seat onto plate until it is secure.
- b. If the seat appears too short or too long for the toilet, adjust the mounting plate accordingly. To adjust the mounting plate, loosen the nuts underneath the toilet and slide seat forward or backwards as needed. Once the seat is lined up properly, tighten the nuts to hold in place.

8. Insert the Deodorizing Cartridge into the bidet body.

9. Connect the open end of the Bidet Hose to the T-valve.

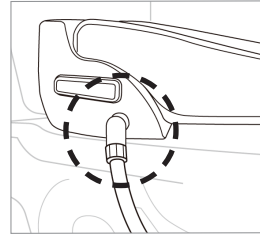
10. Turn On Water Supply

- a. Open the main water supply valve slowly and check for leaks.
- b. Wait 5 minutes, check again and, if there are no leaks, continue.

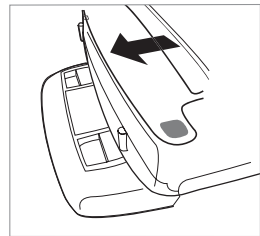
11. Plug the Power Cord into an Electrical Outlet. Nozzle will extend and retract.

NOTE: Make sure to only use a grounded GFCI (ground fault circuit interrupter) electrical outlet. In the case of a short circuit, a grounded GFCI outlet may help prevent electric shock or injury.

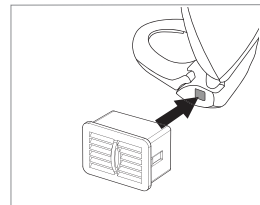
12. Follow instructions on page 17 for using the Swipe+.



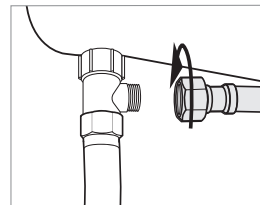
Step 6



Step 7



Step 8



Step 9

PRODUCT INSTALLATION

Remote Control Installation

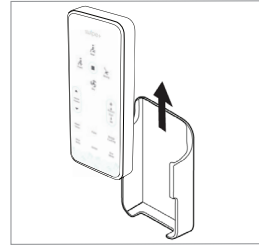
Remote Control Installation

1. Battery Installation

- a. Separate the remote control from the magnetic dock.
- b. Turn remote over and using your fingers or a flat head screwdriver, gently pry the rear cover off the remote. Insert the four included AAA batteries and replace rear battery cover.
- c. To confirm the batteries are installed correctly, touch the remote options and lights will turn on.

2. Mount Remote (optional)

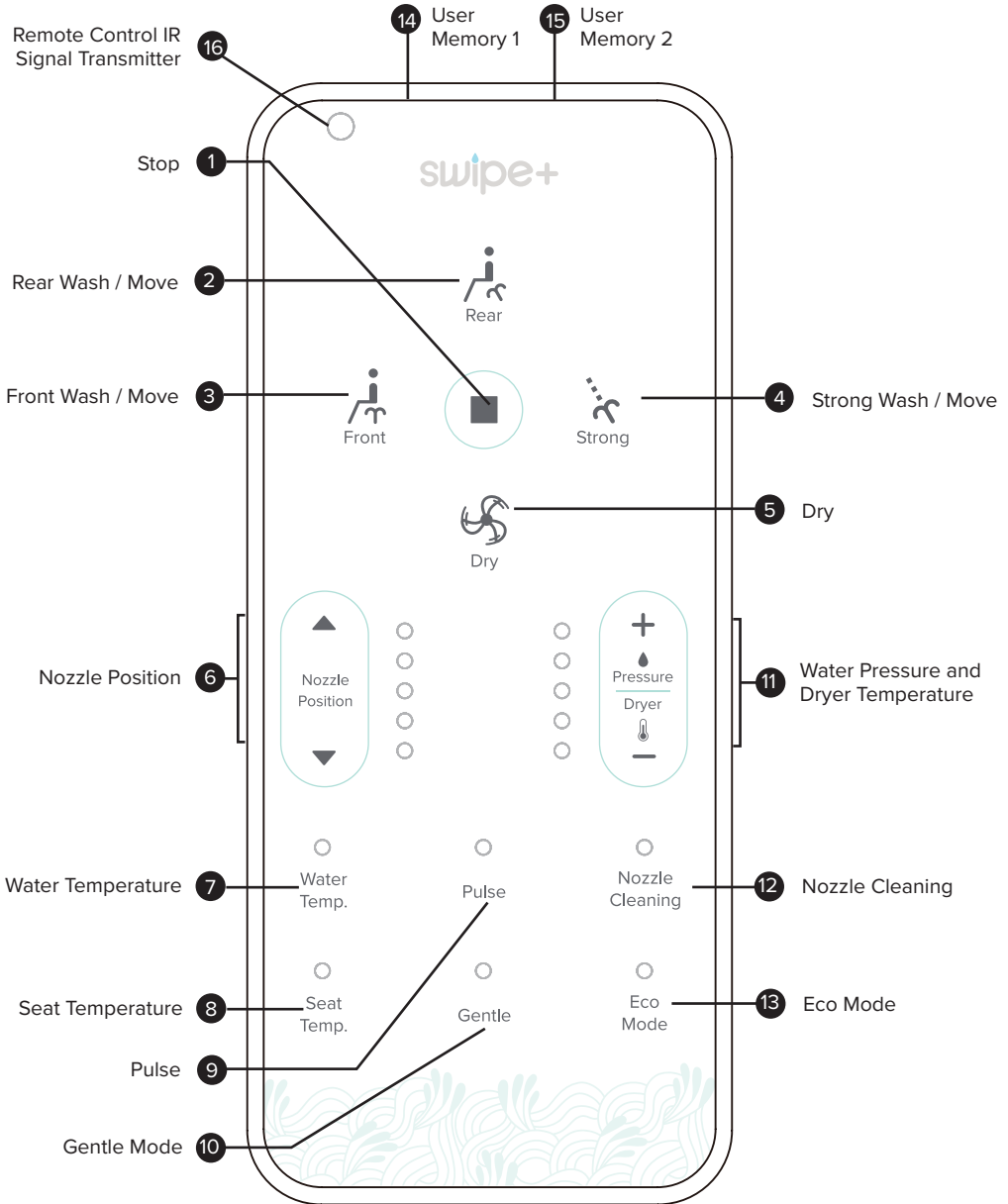
- a. Identify a location in the bathroom for the remote control that is visible and reachable from the toilet.
- b. Remove the backing from the double stick tape on the back of the remote wall mount. Make sure the remote mount is fully secure so that it does not fall and damage the remote control.
- c. Place the remote control into the mount.



Step 1

OPERATING THE SWIPE+

Swipe+ Remote Control



Swipe+ Remote Control

1. Stop

Stops all wash and dry functions currently operating.

2. Rear Wash / Move

Touch once to initiate a rear wash. Touch again to initiate nozzle oscillation (repetitive forward and backward nozzle movement).

3. Front Wash / Move

Touch once to initiate a front wash. Touch again to initiate nozzle oscillation (repetitive forward and backward nozzle movement).

4. Strong Wash / Move

Touch once to initiate a strong wash. Touch again to initiate nozzle oscillation (repetitive forward and backward nozzle movement).

5. Dry

Touch once to initiate a two-minute Warm Air Dryer cycle.

6. Nozzle Position

Touch the up and down arrows to adjust the nozzle position forward and backward during a wash cycle.

7. Water Temperature and Indicator

Touch and release Water Temp to adjust the outgoing water temperature to one of four settings (Low: 91.4°F, Medium: 96.8°F, High: 102.2°F, and Off). Settings will be saved for the next use.

8. Seat Temperature and Indicator

Touch and release Seat Temp to adjust the seat temperature to one of four settings (Low: 93.2°F, Medium: 100.4°F, High: 107.6°F, and Off). Settings will be saved for the next use.

9. Pulse

Touching Pulse while a wash is running enables the water to repeatedly increase and decrease in pressure in a pulsating pattern.

10. Gentle Mode Button

Touch Gentle to initiate a two-minute gentle wash cycle followed by a two-minute dry cycle. See page 17 for more information.

11. Water Pressure and Dryer Temperature and Indicators

Touch “+” and “-” to increase and decrease the outgoing water pressure to one of five settings. Touching these while the Warm Air Dryer is operating will adjust the drying temperature. For Front Wash, Rear Wash and Dry, settings will be saved for next use. For Strong Wash, the highest pressure settings will default for all uses.

12. Nozzle Cleaning

Touch Nozzle Cleaning to initiate Nozzle Cleaning when not sitting on the seat, or while seat sensor is deactivated. For more nozzle maintenance see page 22.

13. Eco Mode and Indicator

Touch and release Eco Mode to select between two energy-saving options (Standard, High-Efficiency). See page 18 for more information.

14. User Memory 1

User Memory 1 contains the programming for all of the custom settings to User 1's wash cycles. See page 19 for more details.

15. User Memory 2

User Memory 2 contains the programming for all of the custom settings to User 2's wash cycles. See page 19 for more details.

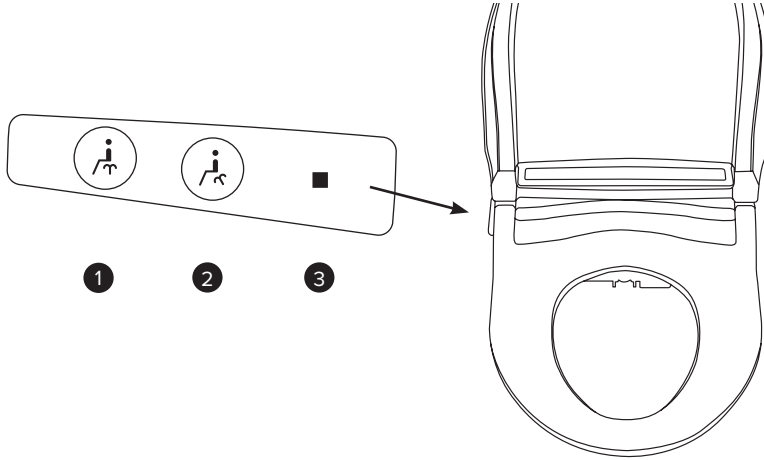
16. Remote Control IR Signal Sensor

Transmits the signal from remote control to the seat when a button is touched.

OPERATING THE SWIPE+

Swipe+ Auxiliary Control Panel

Basic functions such as Rear and Front Wash can be used without the remote by utilizing the auxiliary buttons shown below.



AUXILIARY CONTROL PANEL

1. Front Wash Button

Initiates the front wash function utilizing the settings last used.
Press a second time to initiate the Move function. Press again to stop the Move function.

2. Rear Wash Button

Initiates the rear wash function utilizing the settings last used.
Press a second time to initiate the Move function. Press again to stop the Move function.

3. Stop Button

Stops all wash functions currently operating.

OPERATING THE SWIPE+

Using the Swipe+

NOTE: The wash functions will not work unless the sensor in the seat detects someone sitting down (with the built-in skin conductivity sensor). To override the Seat Sensor, please see the instructions on page 18.

Prepare for Wash

Sit on the seat to ensure skin-to-seat contact on the Seat Sensor.

Warm Water Wash

When ready to wash, touch Rear Wash, Front Wash, or Strong Wash on the remote one time to initiate a wash. The nozzle will self-clean, extend into the toilet bowl, spray for two minutes, turn off automatically, retract, and self-clean once again.

1. Touching Rear Wash, Front Wash, or Strong Wash a second time while the wash is running will cause the nozzle to oscillate forward and backward, providing a wider range of wash spray. Touch again to cancel the Move function.
2. While washing, users can adjust the water temperature, pressure, and nozzle position settings, as well as initiate the Pulse feature by following the notes on page 15.
3. If you would like to stop the wash before the two-minute cycle ends, touch Stop to discontinue water flow.
4. After extended use, the water may decrease in temperature if a Low, Medium, or High water temperature setting is selected. To regain warmer water, stop all wash functions for three minutes to allow the bidet to reheat the water.

Warm Air Dryer Function

Touch Dry to activate the Warm Air Dryer. The dryer will run for two minutes and turn off automatically.

1. While the air dryer is operating, users can adjust the dryer temperature to a comfortable level using Dryer Temp "+" and "-". The dryer temperature will be reflected on the five indicator LEDs.
2. If you would like to stop the dryer before the two minutes has elapsed, touch Stop.

Gentle Mode

All settings within Gentle Mode are 40% softer than standard wash modes. Once activated, gentle mode will begin a two-minute wash including:

- Full nozzle extension
- Water Pressure set to low
- Front Wash for one minute, Nozzle Oscillation for 30 seconds, then Pulse for 30 seconds

After the wash cycle is over, Gentle Mode will initiate a two minute Warm Air Dry cycle on Level Two.

NOTE: While the Gentle Mode cycle is running, the Water Pressure setting is adjustable. Dryer settings are also adjustable during the Gentle Mode.

Special Mode Operations

Eco Mode

In this mode, the water in the tank and the seat temperature can be reduced to one of two different energy-saving settings.

Standard Eco Mode: Touch Eco Mode until the red indicator light is on for Low energy-saving, and the seat and water temperature will be heated to 89.6 °F. Once a person sits on the bidet, the Swipe+ will revert to the last seat and water temperature settings used. Touch the Eco Mode button until there are no indicator lights on to deactivate Eco Mode.

High-Efficiency Eco Mode: Touch Eco Mode until the blue indicator light is on for High energy-saving, and the seat and water temperature will turn off when the bidet is not in use. Once a person sits on the bidet, the Swipe+ will revert to the last seat and water temperature settings used. Touch Eco Mode until there are no indicator lights on to deactivate Eco Mode.

Sitz Bath Mode

In Sitz Bath Mode, water pressure is switched to the lowest level regardless of the preset water pressure settings. To initiate Sitz Bath Mode, while in a front or rear wash cycle, touch Nozzle Cleaning. Sitz Bath Mode will automatically run for five minutes. The Nozzle Cleaning LED will light up indicating Sitz Bath Mode is on. To stop the Sitz Bath Mode before the end of the five-minute cycle, touch Nozzle Cleaning.

Seat Sensor Override

1. To activate the Seat Sensor Override, touch and hold Pulse for four seconds. A beep will sound to indicate that the seat sensor has been turned off. If the Swipe+ is in Silent Mode, there will not be a beep.
2. To deactivate the Seat Sensor Override, touch and hold Pulse for four seconds. Two beeps will sound.

NOTES

- Activation or deactivation of Seat Sensor Override is not possible when seated.
- The Swipe+ cannot be put into Silent Mode while Seat Sensor Override is activated.
- Nozzle Cleaning function will not work when Seat Sensor Override is activated. To initiate Nozzle Cleaning you must first deactivate Seat Sensor Override.

Special Mode Operations

Activating / Deactivating Silent Mode

1. To activate Silent Mode, touch and hold "-" on the Water Pressure and Dryer Temperature button for four seconds.
2. To deactivate Silent Mode, touch and hold "-" on the Water Pressure and Dryer Temperature button for four seconds.

User Memory Setting

The Swipe+ User 1 and User 2 memory function allows you to program your preferred wash settings for a Front or Rear wash cycle for two users. These settings include: Nozzle Position, Water Pressure, Water Temperature, Seat Temperature, and Dryer Temperature. Follow the steps below to program and use the Memory Function.

Programming User 1 and User 2 Memory Function

User 1:

1. Sit on the seat. Select your preferred wash cycle (Rear, Front, Strong) and adjust the nozzle position, water pressure, water temperature, seat temperature and dry settings to your preference.
2. Touch Stop and Arrow Up for 3 seconds to lock in settings. All preset LED lights will flash momentarily to confirm programming is complete.

User 2:

1. Sit on the seat. Select your preferred wash cycle (Rear, Front, Strong) and adjust the nozzle position, water pressure, water temperature, seat temperature and dry settings to your preference.
2. Touch Stop and Arrow Down for 3 seconds to lock in settings. All preset LED lights will flash momentarily to confirm programming is complete.

Using User 1 and User 2 Memory Function

1. Sit on the seat. Touch the preferred User preset. The preset nozzle position, water pressure, water temperature, seat temperature and dry temperature will be activated.
2. Select the wash mode you desire.

Activating / Deactivating Nightlight

Special Mode Operations

The Nightlight is activated at the factory by default.

1. To deactivate the Nightlight, touch and hold “+” for four seconds.

This function cannot be performed while sitting on the seat.

2. To activate the Nightlight, touch and hold “+” for four seconds.

This function cannot be performed while sitting on the seat.

Automatic Deodorizer

Your new Swipe+ comes with an Automatic Deodorizer, which turns on when the Seat Sensor is engaged. The deodorizer will continue to run for one minute after the seat has been vacated.

To deactivate the automatic deodorizer, touch and hold the Stop and the Eco Mode buttons for four seconds while not seated on the seat.

Sleep Mode

In Sleep Mode, the Swipe+ essentially powers down. The Nightlight, the seat heater and the water heater will turn off.

1. To activate Sleep Mode, touch and hold Stop button on the Auxiliary Control for four seconds. The unit will power down.

2. To awaken the Swipe+ from Sleep Mode, touch the Stop, Front, or Strong button on the Auxiliary Control.

Factory Default Reset

It is possible to reset the Swipe+ to Factory Default settings.

To reset the Factory Default settings, touch and hold the Stop button on the Auxiliary Control for ten seconds. A beep will sound at two seconds indicating the beginning of the reset process and another beep will sound at four seconds indicating the reset is activated.

Resetting the seat to Factory Default does not change personalized programming on the remote control. To reset the remote control to Factory Default settings, open the battery compartment and remove the batteries. Replace after 1 minute.

Automatic Tank Draining

1. To prevent stagnation, water in the warm water storage tank can be set to drain and refill itself if the seat hasn't been used in 48 hours.
2. To program this feature, touch Stop and Water Temp at the same time and hold for four seconds.

TECHNICAL INFORMATION

Product Specifications

MOGUL MERCH SWIPE+ ADVANCED BIDET SEAT

Model	MMB-E-M, MMB-U-M
Power Voltage	120V / 60Hz
Max Power Consumption	870W
Supply Water Pressure	9.95 psi – 106.7 psi
Dimensions	Elongated: 15.9 in x 20.7 in x 5.7 in, Round: 15.9 in x 19.5 in x 5.7 in
Weight	Elongated: 12.12 lbs / Round: 11.68 lbs
Incoming Water Temperature	37.4°F – 104°F
Mesh Filter	0.51 in x 0.44 in diameter
Seat Weight Limit	330 lbs
Lid Weight Limit	160 lbs

WARM WATER WASHING DEVICE

Rear Wash	Maximum 0.8 L/min., automatic nozzle self-cleaning
Front Wash	Maximum 0.8 L/min., automatic nozzle self-cleaning
Strong Wash	Maximum 0.6 L/min., automatic nozzle self-cleaning
Standard Time	Rear Wash: 2 minutes, Front Wash: 2 minutes, Strong Wash: 2 minutes
Water Pressure Control	5 Levels
Water Temperature Control	4 Levels: Off - incoming water temperature, Low – 91.4°F, Medium – 96.8°F, High – 102.2°F

Max Heater Power Consumption 800W

Safety Devices Thermal Fuse, Thermostat, Water Level Sensor,
Thermal Sensor, Bi-metal

HEATED SEAT

Seat Temperature Control	4 Levels: Off – room temperature, Low – 93.2°F, Medium – 100.4°F, High – 107.6°F
Max Heater Power Consumption	55W
Safety Devices	Thermostat, Thermal Fuse, Thermal Sensor, Seat Occupied Sensor

NOTE: The specifications listed above are subject to change without prior notice for reasons of improving the product performance.

MAINTENANCE

Seat Cleaning & Removal, Nozzle Cleaning



Unplug the Swipe+ from the power source before cleaning or removing the seat.

Seat Cleaning & Removal

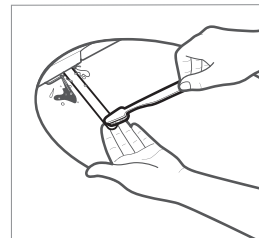
Use a soft, damp cloth and mild cleanser (such as dish soap, Simple Green or Windex) to wipe down the seat. **DO NOT** scrub or use harsh, abrasive products to clean the Swipe+. **DO NOT** use thinner, benzene, acidic chemicals, chloride, or hydrochloric acid detergent. This may result in corrosion to the metal parts or discoloration or scratches to the bidet body.

For a more thorough cleaning, you may remove the Swipe+. To remove the bidet, press the Quick Release button and slide the seat forward off of the mounting plate and toilet.

NOTE: Be cautious of leaving home and beauty products in contact with the bidet seat, the result of which can be irreversible discoloration. Most stains can be removed using a 1:1 mix of rubbing alcohol and water and a soft cloth or towel. However, some permanent stains are the result of substances left on the seat while the seat heater was activated. Be cautious of home and beauty products (including but not limited to various hair and air freshener sprays, lotions, body wash, skin tanners, body butters, and oils) that come in contact with the seat. Wash off any substances that come in contact with the seat as soon as possible. If necessary, replacement seat parts can be purchased through Mogul Merch at support@mogulmerch.gg.

Nozzle Cleaning

1. Touch the Nozzle Cleaning button on the remote.
The nozzle will extend into the toilet bowl and self-clean three times. The nozzle will stop cleaning and stay extended to allow for manual cleaning.
2. Gently clean the nozzle manually with a soft cloth or toothbrush.
3. Touch Nozzle Cleaning again. The nozzle will self-clean three times and retract.



Step 2

NOTE: The Nozzle Cleaning function will not work if the seat is occupied, or if the Seat Sensor has been overridden.

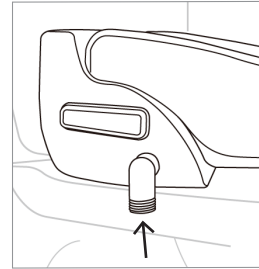
MAINTENANCE

Cleaning the Mesh Filter & Product Storage

Cleaning the Mesh Filter

Cleaning intervals will differ depending on use and water quality. It is recommended to check the filter at least once a year.

1. Turn off the water supply and hold the toilet's flush lever down until all of the water has drained from the tank.
2. Unplug the Swipe+, remove the bidet from the toilet, and disconnect the bidet hose. You may want to use a bucket to catch any dripping water from the bidet hose.
3. Remove the Mesh Filter from the water inlet with a pair of tweezers or needle-nosed pliers.
4. Clean the filter with a toothbrush while running it under tap water to effectively remove any foreign substances or build-up.
5. Replace the Mesh Filter and carefully check that it is installed correctly. If improperly installed, it could result in the product leaking water.
6. Reconnect the bidet hose and place the seat back on the toilet. Plug the cord back in, and turn the water supply back on.



Step 3

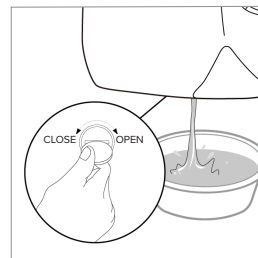
Product Storage

Short Term Non-Use

If the product will not be used for more than a few weeks, you can simply unplug it. You may also consider shutting the water supply off at the wall for extra precaution.

Long Term Non-Use

If the product will not be used for an extended time (longer than four months), you should unplug the unit, shut the water supply off at the wall, and remove the Swipe+ from the toilet. To remove the bidet, press the Quick Release button and slide the seat forward off of the mounting plate and toilet. Remove the bidet hose. To drain the Hot Water Heater, use a coin to unscrew the drain plug on the bottom of the bidet seat, turning the plug clockwise by 90 degrees towards "OPEN." Using your finger, gently release the plug from the body of the seat. When the water is completely drained, push the plug back in place and lock the drain plug into position.



Troubleshooting

If the bidet appears to be operating abnormally, please review the troubleshooting tips as most issues are easily resolved with a few simple steps. If you are unable to resolve the issue after checking the following items, please contact Mogul Merch at support@mogulmerch.gg for assistance.

Check before continuing:

- Make sure the Swipe+ is connected to power and that the outlet is working properly.
 - Make sure you check & test the reset button on the GFCI outlet (Standard 120V GFCI outlet).
 - Make sure the main water supply valve is open.
 - Make sure the seat is not in Standard or High-Efficiency Eco Mode.
 - Confirm there are no leaks from hoses or water supply.
 - Make sure Mesh Filter is clean and free of build up or debris (see maintenance section on page 23).
- After checking items above, refer to the following troubleshooting chart for additional solutions.

Problem	Possible Cause(s)	Solution(s)
The bidet seat is not working	1. Bidet not plugged in	1. Make sure the bidet is plugged in.
	2. Water supply valve not opened fully	2. Check that the water supply valve at the wall is fully open.
	3. No power to Swipe+	3. Check and reset GFCI outlet.
	4. The incoming water is too hot	4. Ensure that the bidet seat is connected to the cold water supply.
	5. Not activating Seat Sensor	5a. Adjust sitting position to fully cover the Seat Sensor.
		5b. Override the Seat Sensor (see page 18).
6. Pressing or touching the remote too rapidly	6. Lightly place your finger on the desired setting until the seat chimes, signaling activation.	
Product shuts off during use	1. Washing time exceeded the cycle time	1. The wash cycles run for two minutes. Touch the wash button after the wash has finished to continue the wash cycle.
	2. Power failure	2. Check and reset GFCI outlet.
	3. Not activating Seat Sensor	3a. Adjust sitting position to fully cover the Seat Sensor.
		3b. Override the Seat Sensor (see page 18).
4. Pressing or touching the remote too rapidly	4. Lightly place your finger on the desired setting until the seat chimes, signaling activation.	
Water flows before or after use	1. Water coming from the nozzle	1a. The water that comes out between the nozzle before or after a wash cycle is the self-clean cycle and is not a malfunction.
		1b. Residual water may drip into the bowl for several seconds after a wash cycle or self-clean cycle, and is not a malfunction.

TECHNICAL INFORMATION

Troubleshooting

Problem	Possible Cause(s)	Solution(s)
Low water flow or spray pressure	1. Clogged filter	1. Remove, clean, and reinstall mesh filter (see maintenance section on page 23).
	2. Water supply valve not opened fully	2. Check that the water supply valve at wall is fully open.
	3. Nozzle is dirty	3. Clean the nozzle (see page 22).
	4. External bidet filter	4. If you have an external bidet filter, check and replace if necessary.
	5. Pressure settings	5a. Increase the water pressure settings. 5b. Check if connection hose is bent.
Water Temperature is low	1. Water comes out cold	1a. The Water temperature level is turned off or set to Low. Adjust temperature on control panel. 1b. Turn off High-Efficiency Eco Mode.
	2. Water comes out lukewarm	2. Turn off Standard Eco Mode.
	3. Water starts out hot but decreases in temperature	3. Warm water can be used for about 90 seconds at the Medium setting. Stop all wash functions to allow the heater to warm the water.
Wash features do not work or fail to spray	1. Not activating Seat Sensor	1a. Adjust sitting position to fully cover the Seat Sensor. 1b. Override the Seat Sensor (see page 18).
	2. Pressing or touching the remote too rapidly	2. Lightly place your finger on the desired setting until the seat chimes, signaling activation.
Water (wash spray) not heated	1. Water temperature set to off	1. Make sure that the Water temperature setting is on.
	2. Resettable fuse blown	2. The bimetal resettable fuse may blow if the temperature exceeds over the normal level. The bidet will not work and show an error message until the bidet cools down.
	3. Eco Mode set to High-Efficiency	3. Turn Eco Mode off or change setting to Standard Eco Mode.
Nozzle does not function properly	1. Nozzle is dirty	1. Clean the nozzle (see page 22).
	2. Clogged filter	2. Remove, clean, and reinstall mesh filter (see page 23).
	3. Water pressure is too low	3. Check water supply valve at wall is fully open.
	4. External bidet filter	4. If you have an external bidet filter, check and replace if necessary.

TECHNICAL INFORMATION

Troubleshooting

Problem	Possible Cause(s)	Solution(s)
Water leaks from areas other than the nozzle	1. Water leaking from the T-valve	1. Make sure that the rubber gasket is inserted correctly into the T-valve (flat side down with lip pointing up towards the toilet tank connection) and firmly tighten the connector.
	2. Water leaking from the bidet hose connection	2. Make sure that the bidet hose is correctly connected and tight. Check any rubber washers and do not over tighten.
	3. Water leaking from under the seat	3. Check if there is anything between the mesh filter and bidet. Remove, clean, and reinstall mesh filter. Check if the filter is damaged (see maintenance section on page 23).
	4. Water leaking from behind the seat	4. Check the water tank plug in the back of the seat (see maintenance section under product storage and use on page 23).
Water Temp lights blinking	1. Water supply not connected properly	1. Make sure that the bidet hose is correctly connected and tight.
Seat is not heated	1. Seat temperature set to off	1. Make sure that the Seat temperature setting is on.
	2. Eco Mode set to High-Efficiency	2. Turn Eco Mode off or change to Standard Eco Mode.
Remote Control is not working	1. Batteries are not in properly	1. Open battery compartment and check.
	2. Pressing or touching the remote too rapidly	2. Lightly place your finger on the desired setting until the seat chimes, signaling activation.
	3. Batteries are expired and need to be replaced	3. Replace batteries with new ones.

TECHNICAL INFORMATION

Warranty

Mogul Merch warrants that all products (excluding consumable items) shall be free from defects in material and workmanship under normal use and service.

Swipe+ Residential One-Year Limited Warranty

100% Coverage of all parts for the entire product (excluding consumable filters) for the first year from original date of purchase.

Exclusions and Limitations

1. Mogul Merch warrants its products to be free from manufacturing defects under normal use and service. This warranty is extended only to the ORIGINAL PURCHASER.
2. Mogul Merch's obligations under this warranty are limited to replacement, at Mogul Merch's option, of products or parts found to be defective, provided that such products were properly installed and used in accordance with instructions. Mogul Merch reserves the right to make such inspections as may be necessary in order to determine the cause of the defect.
3. Mogul Merch is not responsible for the cost of removal, return (shipping) and/or re-installation of products. This warranty does NOT apply to:
 - Damage or loss which occurs during shipment.
 - Damage or loss sustained through any natural or man-made causes beyond the control of Mogul Merch, including but not limited to fire, earthquake, floods, etc.
 - Damage or loss resulting from sediments or foreign matter contained in a water system.
 - Damage or loss resulting from negligent or improper installation including installation of a unit in a harsh or hazardous environment.
 - Damage or loss resulting from removal, improper repair, modification of the product, or improper maintenance including damage caused by chlorine or chlorine related products
 - Damage or loss resulting from electrical surges, electrical outages, lightning strikes, or other acts which are not the fault of Mogul Merch or which the Product is not specified to tolerate.
4. This warranty gives you specific legal rights. You may have other rights which vary from state to state. THIS WRITTEN WARRANTY IS THE ONLY WARRANTY MADE BY MOGUL MERCH. REPLACEMENT AS PROVIDED UNDER THIS WARRANTY SHALL BE THE EXCLUSIVE REMEDY AVAILABLE TO THE PURCHASER. MOGUL MERCH SHALL NOT BE RESPONSIBLE FOR LOSS OF USE OF THE PRODUCT OR FOR OTHER INCIDENTAL, SPECIAL, FOR CONSEQUENTIAL DAMAGES OR EXPENSES INCURRED BY THE PURCHASER OR FOR LABOR OR OTHER COSTS DUE TO INSTALLATION OR REMOVAL OR COSTS OF REPAIRS BY OTHERS, OR FOR ANY OTHER EXPENSE NOT SPECIFICALLY STATED ABOVE. EXCEPT TO THE EXTENT PROHIBITED BY APPLICABLE LAW, ANY IMPLIED WARRANTIES, INCLUDING THAT OF MERCHANTABILITY, ARE EXPRESSLY LIMITED TO THE DURATION OF THIS WARRANTY. SOME STATES DO NOT ALLOW LIMITATIONS, SO THE ABOVE LIMITATION AND EXCLUSION MAY NOT APPLY TO YOU.

How to Obtain Replacement Parts

To obtain parts under this warranty, please contact Mogul Merch at support@mogulmerch.gg, with proof of purchase in the form of a copy of the original receipt.

**MOGUL
MERCH**

support@mogulmerch.gg

Made in Korea